

Crown Mouldings	66
Crown Mouldings Dentil	73
Crown Mouldings Decorative	75
Cornice Mouldings	77
Smooth Flat Trim	80
Trim Brick Mould	81
Trim, Casing & Apron.....	82
Chair Rail	84
Baseboard Trim	86
Bed Moulding	87
Mouldings.....	88
Mouldings Dentil.....	94
Mouldings Decorative	97
Moulding Accessories	98
Miterless Accessories	99
Timber Flat Trim.....	100


 The logo for FYPON features the brand name in a bold, black, serif font. A stylized blue wave graphic is positioned to the left of the 'Y', partially overlapping the 'F'. A registered trademark symbol (®) is located at the end of the word 'FYPON'.

Details, Details

Mouldings

Whether your project calls for delicate Florentine trim, massive cornice mouldings, or anything in between, we offer a variety of beautiful options that range from simple to ornate. Our portfolio of tasteful, inspired styles is available in a range of sizes and combinations, so you can boost a home's character — and the homeowner's satisfaction. **For installation and finishing instructions, please visit www.fypon.com.**

Products shown: MLD612-12, MLD215-12, MLD603-8, CM13EA, FLT159-12, PIL10X96HC

How to Use This Section

The products in this section of the catalog are organized by architectural style. You can find a variety of products to match the aesthetics of almost any application conveniently grouped together. Where applicable, groups of mouldings are further sorted by height, from smallest to largest.

How to Order Mouldings

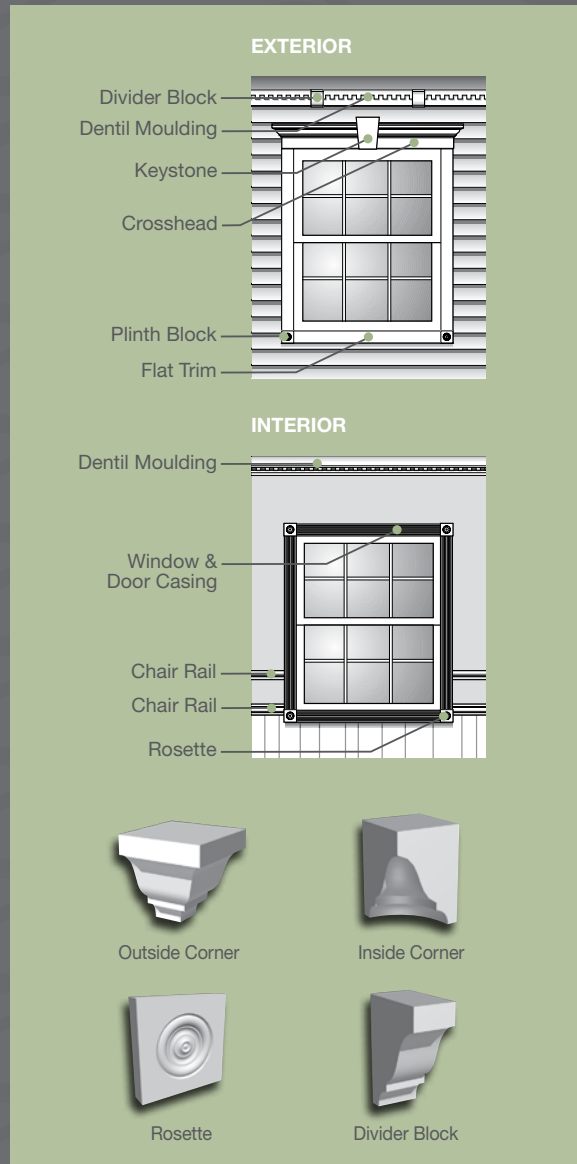
First choose the product that best fits your application. The large variety of sizes and styles can be applied to any home. Mouldings can be used individually or combined to create a new and distinctive look.

Moulding Accessories

The accessories shown here are available to help make moulding installations quick and easy. Inside and outside corners eliminate the hassle of figuring complex miter cuts. Divider blocks and rosettes can be used between moulding lengths to eliminate the need for patching to create smooth seams. All moulding accessories are unattached and must be ordered separately. Refer to page 98-99 for moulding accessories.

Custom Products

To request a unique custom product design, please contact the Fypon Custom Product Sales Department at 855.397.6647. You may also fill out our Quote Request Form, which can be obtained at www.fypon.com/products/custom.asp, or contact the Fypon Customer Service Department at 800.446.3040.



Remember to Order Adhesive

A urethane-based adhesive **must** be used on all joint surfaces. See page 200 to order Loctite® PL Premium® Adhesive.*



Table & Blade Angles


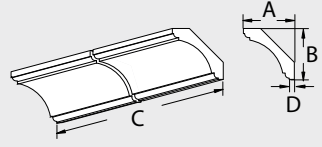

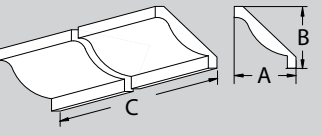

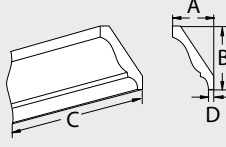

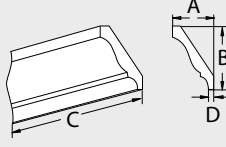

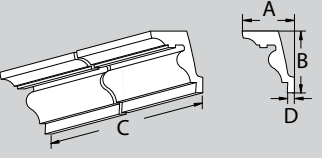

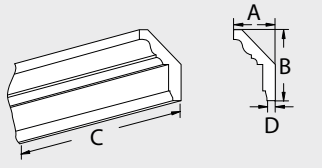

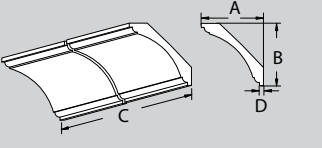

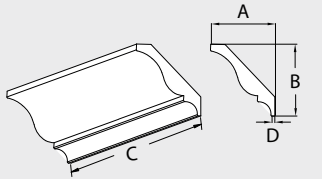

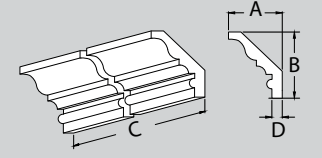
For recommended table and blade angles for mitering 90° corners, please visit the product support section at www.fypon.com.

* Loctite® PL Premium® is owned by Henkel Corporation.

Always consult the local building code authority to determine suitability of products to meet specific project requirements.

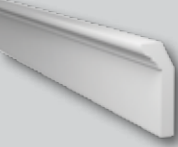
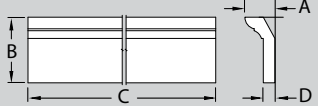

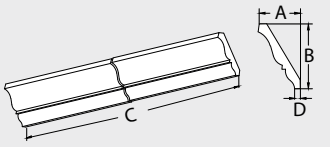

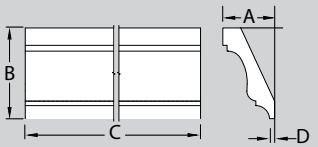

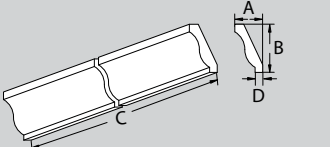

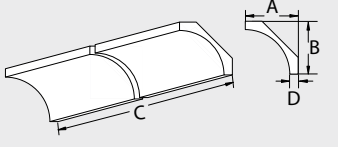

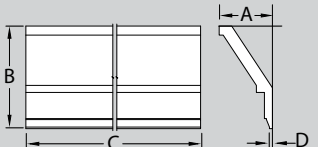

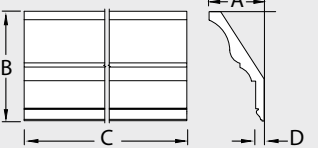
Fypon reserves the right to hollow out the back of any product without notice. This space is not intended to be used for blocking purposes. Some products may be made as assemblies. Images are representative of style, actual product will vary by size.

Crown Mouldings

	Part Number	Projection (A)	Height (B)	Length (C)	Bottom Thickness (D)	
	MLD593-16	2 1/2"	2 1/2"	16'	1/4"	
	MLD451-16	3 1/8"	3"	16'	1/2"	
	MLD452-8	2"	3"	8'	1/4"	
	MLD452-12	2"	3"	12'	1/4"	
	MLD462-16	2 3/4"	3 1/4"	16'	5/16"	
	MLD552-12 Classic Crown Fascia	2 1/8"	3 1/2"	12'	3/8"	
	MLD592-16	3 3/4"	3 7/8"	16'	1/4"	
	MLD454-12	3 19/32"	4 1/32"	12'	7/32"	
	MLD572-16	3 1/4"	4 3/16"	16'	5/8"	


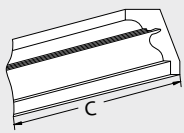
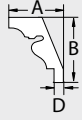
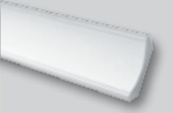
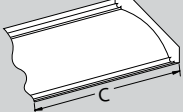
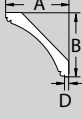

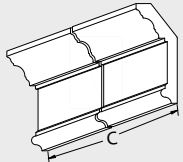
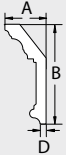

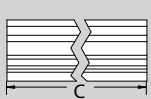
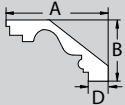

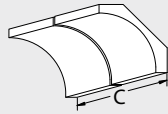
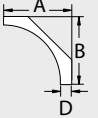

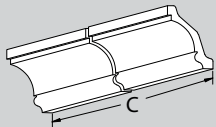
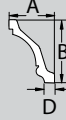


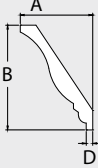

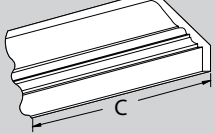
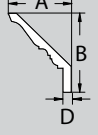
Crown Mouldings

Continued

	Part Number		Projection (A)	Height (B)	Length (C)	Bottom Thickness (D)	
	MLD1011-12	NEW	1 15/16"	4 1/4"	12'	3/4"	
	MLD1012-12	NEW	1 15/16"	5"	12'	3/4"	
	MLD1013-12	NEW	1 15/16"	6 1/4"	12'	3/4"	
	MLD456-12		2 3/4"	4 3/8"	12'	5/16"	
	MLD456-16		2 3/4"	4 3/8"	16'	5/16"	
	MLD1036-12	NEW	2 1/2"	4 1/2"	12'	1/4"	
	MLD1037-12	NEW	3 1/8"	5 5/8"	12'	5/16"	
	MLD471-12		7 1/8"	4 5/8"	12'	5/8"	
	MLD467-16		2 3/4"	4 3/4"	16'	3/4"	
	MLD584-16		4 3/4"	4 3/4"	16'	3/4"	
	MLD1029-12	NEW	3 5/16"	6 3/8"	12'	3/16"	
	MLD1030-12	NEW	4 1/8"	7 31/32"	12'	1/4"	
	MLD1000-12	NEW	3 1/16"	6 3/32"	12'	1/8"	
	MLD1001-12	NEW	4 3/32"	8 1/8"	12'	5/32"	
	MLD1002-12	NEW	5 3/32"	10 5/32"	12'	3/16"	


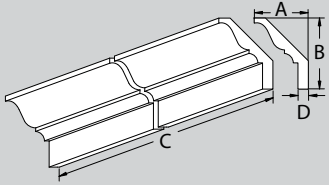

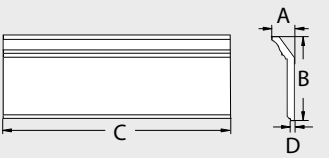

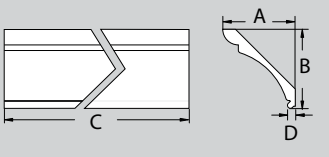
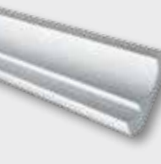
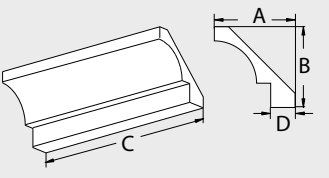

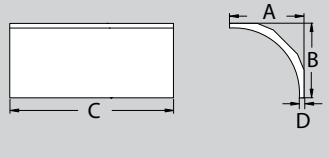

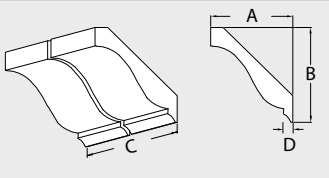

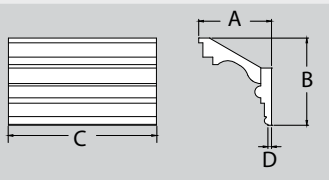

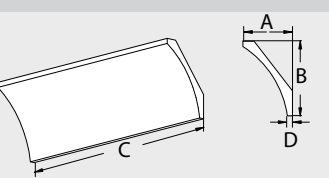
Crown Mouldings

Continued

	Part Number	Projection (A)	Height (B)	Length (C)	Bottom Thickness (D)		
	MLD460-12	4 3/8"	5 1/8"	12'	3/4"		
	MLD606-12	5 1/4"	5 1/4"	12'	5/16"		
	MLD587-16	2 3/8"	5 3/4"	16'	11/32"		
	MLD470-12	10"	6"	12'	1 15/16"		
	MLD590-16	6"	6 1/4"	16'	1"		
	MLD589-16	4 3/8"	6 1/2"	16'	1 1/8"		
	MLD453-16	4 11/16"	6 11/16"	16'	7/16"		
	MLD570-12	5 1/2"	6 7/8"	12'	3/4"		


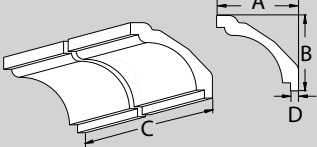

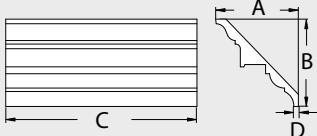

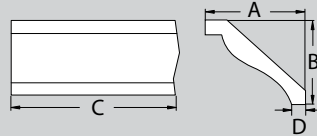

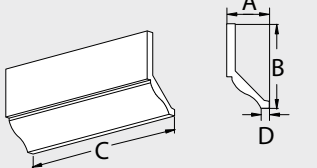

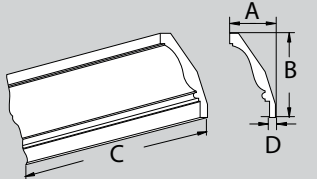
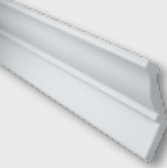
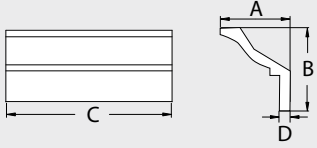

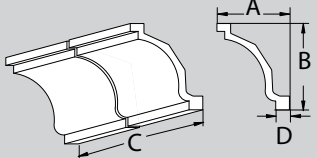

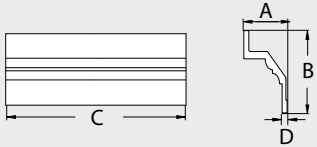
Crown Mouldings

Continued

	Part Number	Projection (A)	Height (B)	Length (C)	Bottom Thickness (D)	
	MLD569-12	5 13/16"	7 17/32"	12'	1 3/32"	
	MLD253-16	2 3/8"	7 5/8"	16'	3/8"	
	MLD457-12	6 7/8"	7 5/8"	12'	3/4"	
	MLD582-12	7 7/8"	7 7/8"	12'	2 3/8"	
	MLD583-16	8"	8"	16'	1/2"	
	MLD449-16	7 3/32"	8 1/2"	16'	5/32"	
	MLD480-12 Ships in 2 pieces	7 7/8"	8 7/8"	12'	3/8"	
	MLD635-12	6"	9"	12'	5/8"	

Crown Mouldings


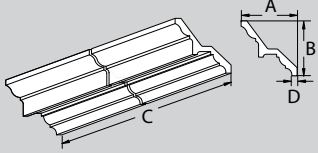
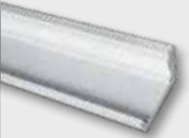
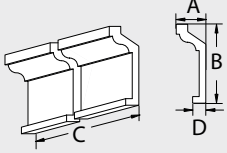

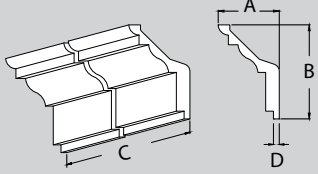

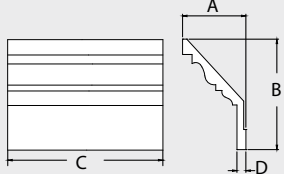

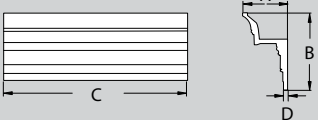

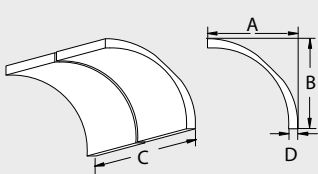

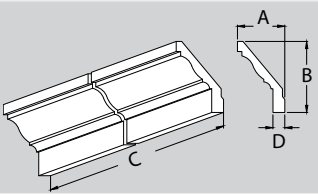

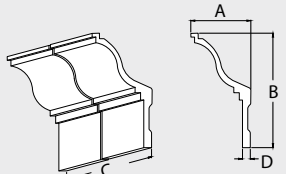

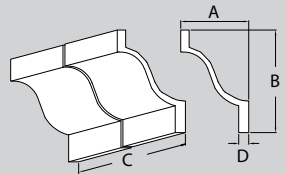
Continued

	Part Number	Projection (A)	Height (B)	Length (C)	Bottom Thickness (D)	
	MLD591-16	10 1/4"	9 7/16"	16'	1"	
	MLD535-16	9"	9 1/2"	16'	1/2"	
	MLD450-16	11 7/16"	9 5/8"	16'	1 9/16"	
	MLD581-12	5"	9 15/16"	12'	1"	
	MLD555-12	5 3/16"	10 11/16"	12'	7/8"	
	MLD371-16	6 1/2"	11"	16'	1"	
	MLD588-16	9 1/4"	11"	16'	1 3/4"	
	MLD364-12	8 11/16"	11 5/16"	12'	1"	




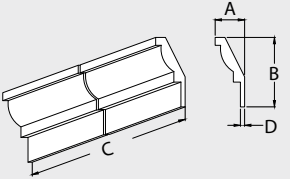

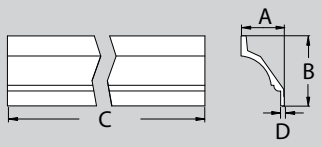

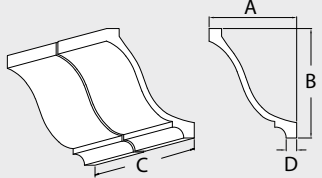
Crown Mouldings

Continued

Part Number	Projection (A)	Height (B)	Length (C)	Bottom Thickness (D)	
 MLD642-12	12"	11 3/4"	12'	1 3/8"	
 MLD539-16	4 1/2"	12"	16'	2"	
 MLD524-16	8"	12 1/8"	16'	1"	
 MLD580-12	7 1/8"	12 3/8"	12'	1"	
 MLD372-14	8 1/4"	13 7/8"	14'	3/4"	
 MLD734-12	14 3/8"	14 3/8"	12'	1 9/32"	
 MLD556-16	10"	15"	16'	2 1/2"	
 MLD536-12	8 1/8"	15 1/2"	12'	1"	
 MLD528-12	9 7/16"	15 11/16"	12'	1 1/2"	


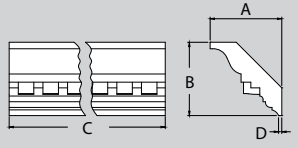

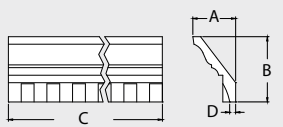


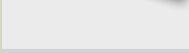
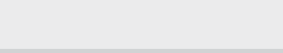

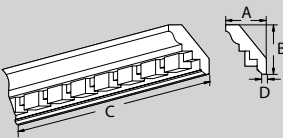
Crown Mouldings

Continued

	Part Number	Projection (A)	Height (B)	Length (C)	Bottom Thickness (D)	
	MLD586-16	7"	16 1/2"	16'	1"	
	MLD585-12	10 1/2"	17"	12'	7/8"	
	MLD481-12	14 13/16"	17 3/8"	12'	1 11/16"	


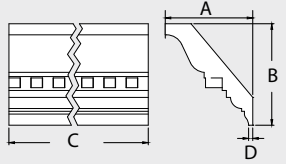

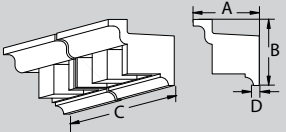

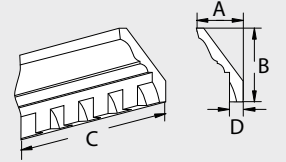

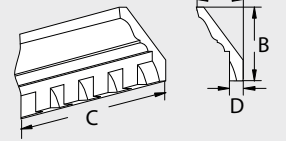

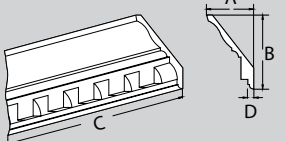

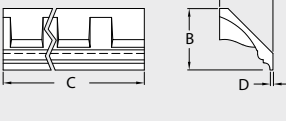

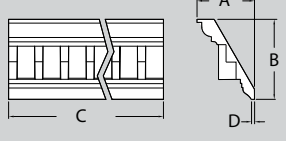
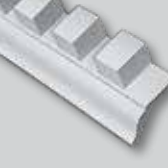
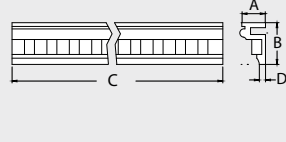

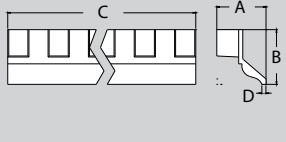

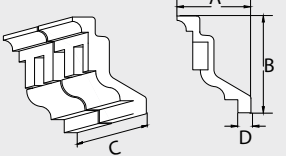
Crown Mouldings

Dentil

	Part Number	Projection (A)	Height (B)	Length (C)	Bottom Thickness (D)	Design Repeat	Tooth & Space
	MLD400-8	2 15/16"	2 11/16"	8'	1/8"	1"	5/8" Tooth 3/8" Space 
	MLD404-8	2 1/2"	3 7/8"	8'	1/4"	1 1/2"	3/4" Tooth 
	MLD404-12	2 1/2"	3 7/8"	12'	1/4"	1 1/2"	3/4" Space 
	MLD404-16	2 1/2"	3 7/8"	16'	1/4"	1 1/2"	3/4" Space 
	MLD406-16	3 3/8"	4"	16'	3/8"	2"	1 1/4" Tooth 3/4" Space 


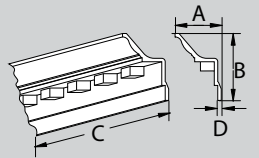

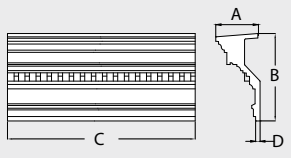
Crown Mouldings

Dentil continued

	Part Number	Projection (A)	Height (B)	Length (C)	Bottom Thickness (D)	Design Repeat	Tooth & Space	
	MLD432-12 Divider Block Accessory MDB432	3 15/16"	4 9/16"	12' 3"	3/16"	1"	1/2" Tooth 1/2" Space	
	MLD365-16	4 15/16"	5"	16'	3/8"	4 5/8"	2 1/4" Tooth 2 3/8" Space	
	MLD410-8	3 1/4"	6 7/8"	8'	7/16"	3"	1 1/2" Tooth	
	MLD410-12	3 1/4"	6 7/8"	12'	7/16"	3"	1 1/2" Space	
	MLD411-16	4 1/2"	7"	16'	1/2"	3"	1 1/2" Tooth 1 1/2" Space	
	MLD440-12	6 1/2"	7 1/4"	12'	3/8"	6 5/8"	4" Tooth 2 5/8" Space	
	MLD430-12	5 3/4"	8"	12' 2 1/4"	5/16"	2 5/8"	1 3/4" Tooth 7/8" Space	
	MLD362-16	5 5/32"	8 3/8"	16'	1 1/4"	4 1/2"	2 1/2" Tooth 2" Space	
	MLD435-16	9"	10"	16'	3/4"	7 3/8"	3 7/8" Tooth 3 1/2" Space	
	MLD413-12	8 1/2"	11 1/8"	12'	1 15/32"	5 5/8"	3" Tooth 2 5/8" Space	


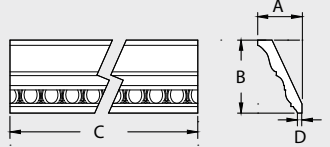

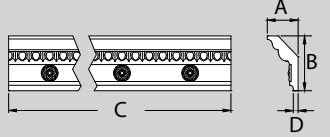

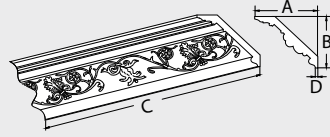

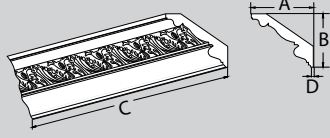

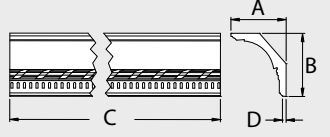
Crown Mouldings

Dentil continued

	Part Number	Projection (A)	Height (B)	Length (C)	Bottom Thickness (D)	Design Repeat	Tooth & Space	
	MLD421-12	10"	14 1/2"	12'	3/4"	6"	2" Tooth 4" Space	
	MLD461-8	9 13/16"	19"	8'	1"	2 1/2"	1 1/2" Tooth 1" Space	

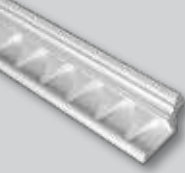
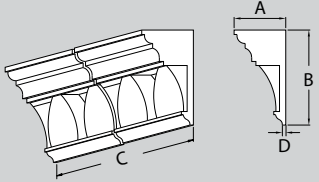

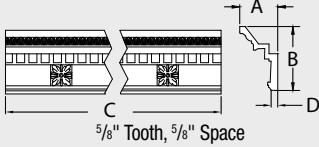

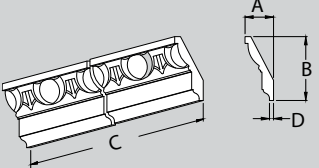

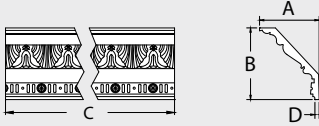

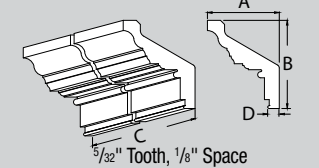

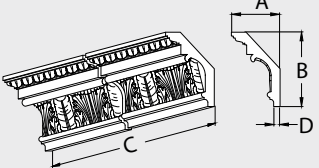
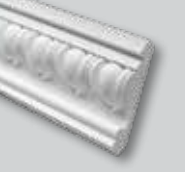
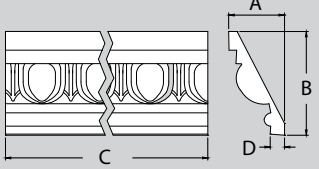

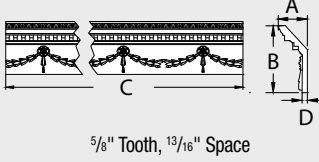
Crown Mouldings

Decorative

	Part Number	Projection (A)	Height (B)	Length (C)	Bottom Thickness (D)	Design Repeat		
	MLD565-16 Egg & Dart	2 1/8"	3 1/2"	16'	3/16"	1"		
	MLD423-12	2 13/16"	5"	12'	7/16"	6 1/4"		
	MLD490-12 Florentine	6"	5 7/16"	11' 5"	1/4"	—		
	MLD491-12 Acanthus Leaf	6 1/4"	5 7/16"	12'	1/4"	4"		
	MLD608-12	4 3/4"	5 7/16"	12'	5/16"	—		


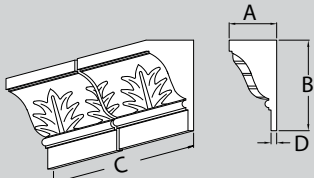

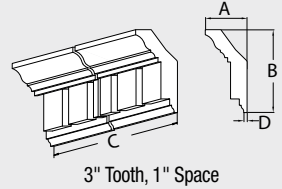
Crown Mouldings

Decorative continued


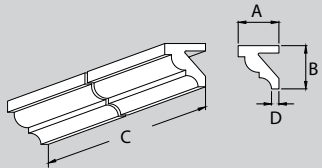
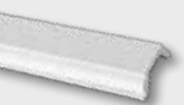
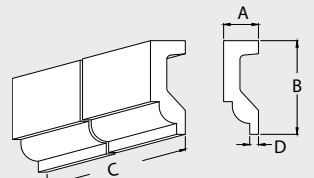
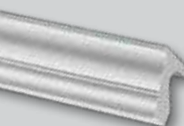
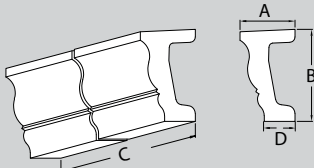

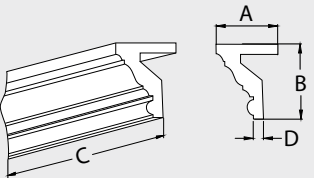

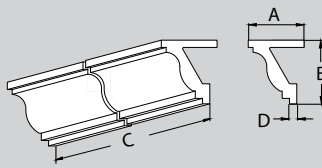
	Part Number	Projection (A)	Height (B)	Length (C)	Bottom Thickness (D)	Design Repeat	
	MLD651-16 Deco	2 7/8"	5 1/2"	16'	3/16"	5 15/32"	
	MLD405-12	3 5/8"	5 3/4"	12' 6"	5/8"	12 1/2"	
	MLD564-16 Egg & Dart	2 5/8"	5 7/8"	16'	1/4"	2 13/16"	
	MLD493-12 Crown Leaf Divider Block Accessory MDB493	5 17/32"	6 21/32"	12'	3/8"	4"	
	MLD436-16	5 1/2"	6 3/4"	16'	1/2"	9/32"	
	MLD732-12	4 3/4"	7 1/4"	12'	5/8"	5 3/8"	
	MLD560-8 Egg & Dart	5 25/32"	9 5/32"	8'	1 3/8"	5 7/16"	
	MLD425-12	4 1/8"	9 1/2"	11' 5"	3/4"	13 1/2"	

Crown Mouldings

Decorative continued


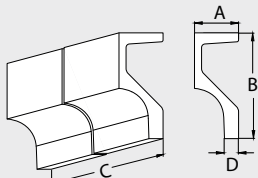

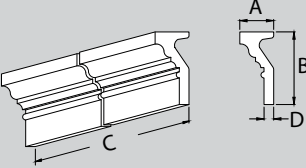

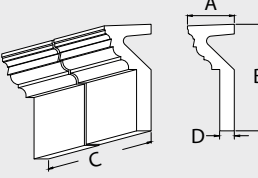

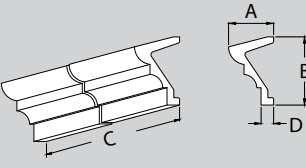

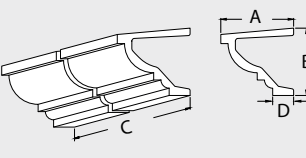

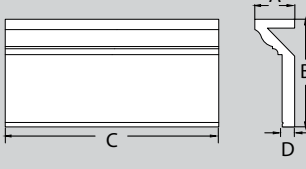

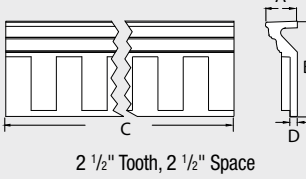

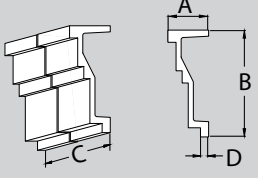
	Part Number	Projection (A)	Height (B)	Length (C)	Bottom Thickness (D)	Design Repeat	
	MLD495-16	5 3/8"	10 1/16"	16'	5/8"	7 3/4"	
	MLD412-16	5 3/8"	10 21/32"	16'	7/16"	4"	

Cornice Mouldings

	Part Number	Projection (A)	Height (B)	Length (C)	Bottom Thickness (D)	Design Repeat	
	MLD513-16	4 1/8"	4 3/8"	16'	3/4"	—	
	MLD523-16	2"	5 1/4"	16'	1/2"	—	
	MLD509-16	3 1/4"	5 3/8"	16'	1 3/4"	—	
	MLD510-12	4 3/8"	5 1/2"	12'	5/8"	—	
	MLD511-12	5 3/4"	6 9/16"	12'	3/4"	—	

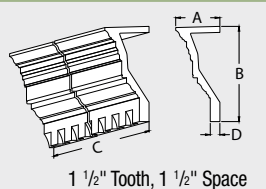
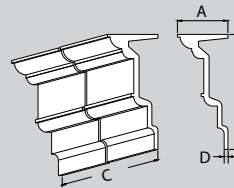

Cornice Mouldings

Continued

	Part Number	Projection (A)	Height (B)	Length (C)	Bottom Thickness (D)	Design Repeat	
	MLD548-16	3 1/8"	7 1/2"	16'	1 1/8"	—	
	MLD527-16	3 1/2"	7 5/8"	16'	1"	—	
	MLD508-12	3 5/8"	8 3/8"	12'	1 5/32"	—	
	MLD547-16	5 3/8"	8 5/8"	16'	1 1/2"	—	
	MLD545-12	10"	9 1/16"	12'	2 7/8"	—	
	MLD246-16	3 3/8"	9 1/8"	16'	1"	—	
	MLD336-16	3 1/8"	9 3/8"	16' 1"	1 1/16"	5"	
	MLD521-8 Sign Fascia	5"	13 1/8"	8'	15/16"	—	

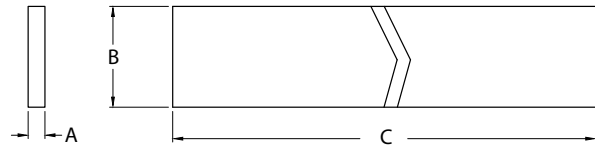
Cornice Mouldings

Continued

	Part Number	Projection (A)	Height (B)	Length (C)	Bottom Thickness (D)	Design Repeat	
	MLD419-12	6 3/4"	14 1/2"	12'	1 3/8"	3"	
	MLD506-16	3"	16 3/8"	16'	7/8"	—	
	MLD533-12	5 1/2"	17"	12'	2 1/2"	—	
	MLD543-12	8 1/4"	19"	12'	1/2"	—	
	MLD534-12	8 7/8"	19 1/8"	12'	9/16"	—	



Smooth Flat Trim



Part Number	Thickness (A)	Width (B)	Length (C)	Accessories
FLT177-8	1/2"	1"	8'	—
FLT131-16	1/2"	3"	16'	—
FLT178-8	1/2"	14"	8'	—
FLT100-12	5/8"	4 3/4"	12'	—
FLT181-8	5/8"	24"	8'	—
FLT101-12	3/4"	1 1/2"	12'	—
FLT102-8	3/4"	2 1/8"	8'	—
FLT102-10	3/4"	2 1/8"	10'	—
FLT103-12	3/4"	3"	12'	PB3X3, PB4X4
FLT122-16	3/4"	3 1/2"	16'	—
FLT110-16	3/4"	5 1/2"	16'	—
FLT109-12	3/4"	6"	12'	—
FLT186-16	3/4"	7 1/4"	16'	—
FLT113-8	3/4"	8"	8'	—
FLT118-8	3/4"	10"	8'	—
FLT152-8	1"	3 1/2"	8'	4F Arches
FLT152-12	1"	3 1/2"	12'	4F Arches
FLT152-16	1"	3 1/2"	16'	4F Arches
FLT153-12	1"	4"	12'	—
FLT159-8	1"	5 1/2"	8'	6F Arches, PB6X6
FLT159-12	1"	5 1/2"	12'	6F Arches, PB6X6
FLT159-16	1"	5 1/2"	16'	6F Arches, PB6X6
FLT162-6	1"	7 1/2"	6'	PB7X7, K8TF
FLT162-8	1"	7 1/2"	8'	PB7X7, K8TF
FLT162-14	1"	7 1/2"	14'	PB7X7, K8TF
FLT170-12	1"	9 1/2"	12'	—
FLT170-16	1"	9 1/2"	16'	—

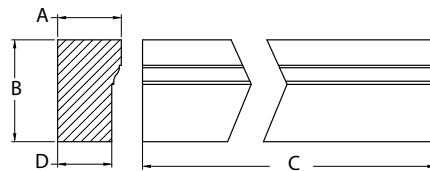
Smooth Flat Trim


Continued

Part Number	Thickness (A)	Width (B)	Length (C)	Accessories
FLT172-16	1"	11 1/2"	16'	—
FLT175-12	1"	12"	12'	—
FLT179-12	1"	16"	12'	—
FLT180-12	1"	24"	12'	—
FLT119-17	1"	32 1/4"	16' 11"	—
FLT125-8	1"	36"	8'	—
FLT40X96	1"	40"	8'	—
FLT184-16	1 1/2"	1 1/2"	16'	—
FLT194-10	1 1/2"	3 1/2"	10'	—
FLT183-12	1 1/2"	5 1/2"	12'	—
FLT163-16	1 1/2"	7 1/2"	16'	—
FLT182-12	1 1/2"	12 1/4"	12'	—
FLT185-12	1 1/2"	16 1/2"	12'	—
FLT190-12	2"	4"	12'	—




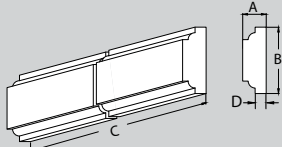
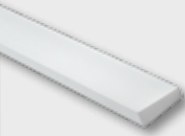
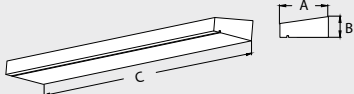
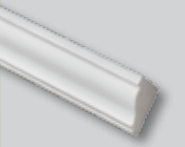
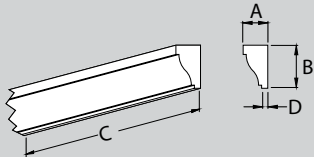

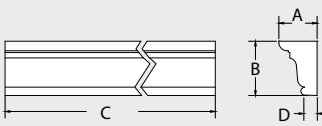

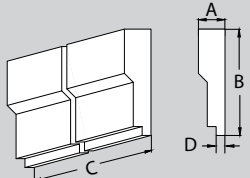
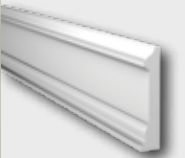
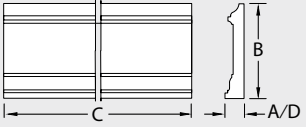
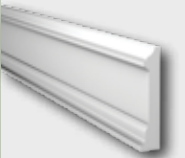
Trim

Brick Mould



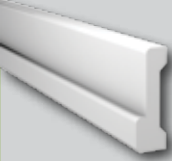


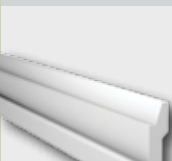




Part Number	Projection (A)	Height (B)	Length (C)	Bottom Thickness (D)	Accessories
MLDWM180-8	1 1/4"	2"	8'	1 1/16"	 Keystone KWM180M Page 48
MLDWM180-16	1 1/4"	2"	16'	1 1/16"	
MLDWM181-16	13/16"	2"	16'	5/8"	
MLDWM183-16	1 1/2"	2 1/8"	16'	1 5/16"	
MLDWM182-12	1 1/4"	3"	12'	1 1/16"	

Trim, Casing & Apron

Part Number	Projection (A)	Height (B)	Length (C)	Bottom Thickness (D)	Accessories	
 MLD1007-12 NEW Sill	3 1/2"	1/2"	12'	—	—	
 MLD637-16 Flat Astragal	9/16"	1 1/2"	16'	3/4"	—	
 MLD710-10 Sill	3 1/2"	1 1/2" Tapers to 1"	10'	—	—	
 MLD231-12 Window & Door Casing	1"	1 3/4"	12'	1/4"	—	
 MLD214-12 Window & Door Casing	2"	2 7/8"	12'	3/4"	—	
 MLD239-16	3/4"	3"	16'	3/4"	—	
 MLD1003-12 NEW	7/8"	3 1/4"	12'	7/8"	—	
 MLD1004-12 NEW	7/8"	4 1/4"	12'	7/8"	—	


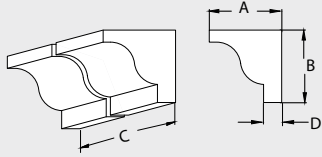

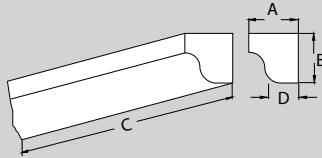

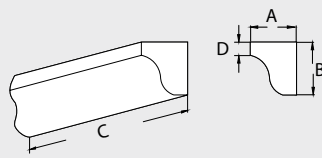

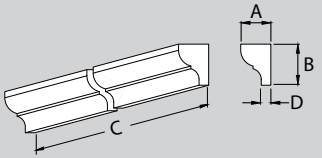
Trim, Casing & Apron

Continued


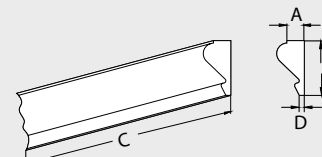

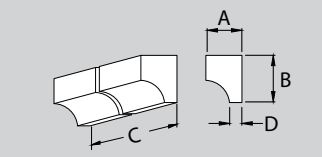

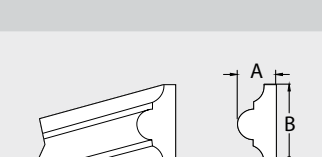

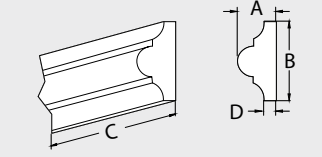
Part Number	Projection (A)	Height (B)	Length (C)	Bottom Thickness (D)	Accessories
 MLD1014-12 NEW	1 1/8"	3 1/4"	12'	1 1/8"	—
 MLD1015-12 NEW	1 1/8"	4 1/4"	12'	1 1/8"	—
 MLD1016-12 NEW	3/4"	3 1/4"	12'	1/4"	—
 MLD1017-12 NEW	3/4"	4 1/4"	12'	1/4"	—
 MLD1033-12 NEW	1 3/32"	3 1/4"	12'	1/4"	—
 MLD1031-12 NEW	1 1/8"	3 1/4"	12'	1 1/8"	—
 MLD1032-12 NEW	1 1/8"	4 1/4"	12'	1 1/8"	—
 MLD234-16 Window & Door Casing	1"	3 1/2"	16'	1 1/32"	—



Ogee

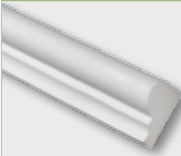
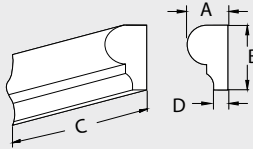

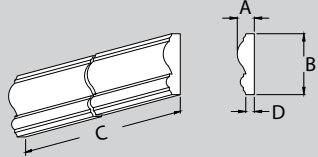

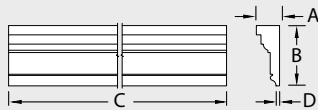

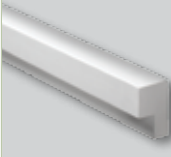
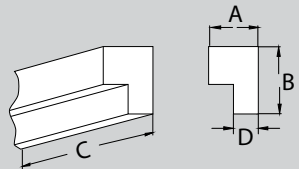

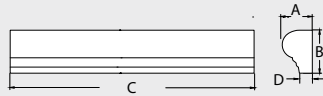
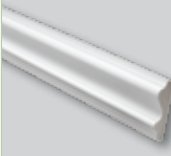
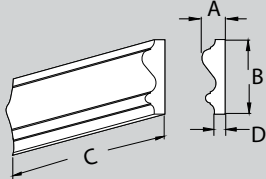
Part Number	Projection (A)	Height (B)	Length (C)	Bottom Thickness (D)	Accessories
 MLD633-8	3/4"	3/4"	8'	3/16"	— 
 MLD602-8 Crosshead Trim Strip	13/16"	13/16"	8'	5/16"	— 
 MLD601-12	1 5/16"	1 1/2"	12'	3/8"	— 
 MLD634-16	1 3/8"	1 7/8"	16'	3/32"	— 

Chair Rail

Part Number	Projection (A)	Height (B)	Length (C)	Bottom Thickness (D)	Accessories
 MLD612-12	3/4"	1 3/8"	12'	1/8"	— 
 MLD627-12	1 5/8"	2 1/8"	12'	9/16"	— 
 MLD627-16	1 5/8"	2 1/8"	16'	9/16"	— 
 MLD611-12	1 1/8"	2 1/4"	12'	3/8"	— 


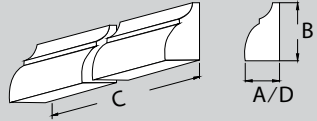

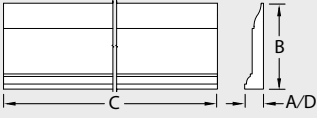



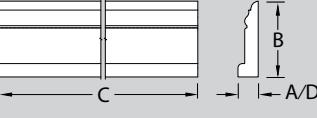



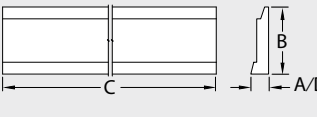


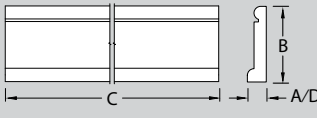


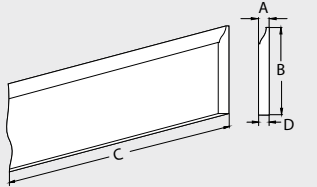
Chair Rail

Continued

Part Number	Projection (A)	Height (B)	Length (C)	Bottom Thickness (D)	Accessories	
 MLD610-8	1 1/2"	2 3/8"	8'	1/2"	—	
 MLD631-16	7/8"	3"	16'	7/16"	—	
 MLD1005-12 NEW	1 1/4"	3 1/4"	12'	1/2"	—	
 MLD1006-12 NEW	1 1/4"	4 1/4"	12'	1/2"	—	
 MLD625-16	3"	4"	16'	1 1/2"	—	
 MLD622-4	2 13/16"	4"	4'	1 7/32"	—	
 MLD614-16	1 5/8"	5 1/2"	16'	3/4"	—	



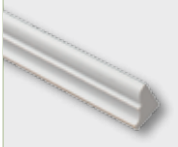
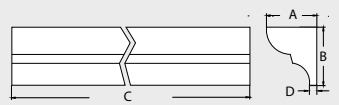

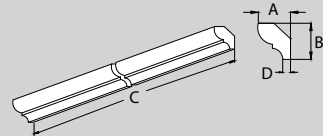

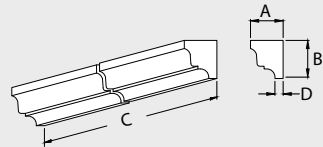

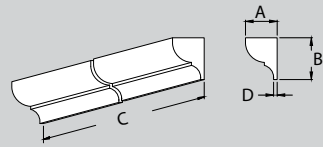
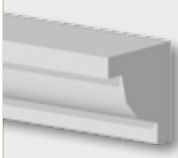
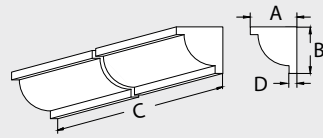

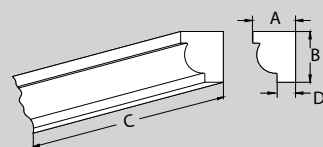
Baseboard Trim

Part Number	Projection (A)	Height (B)	Length (C)	Bottom Thickness (D)	
 MLD618-16 Base Cap	15/16"	1 1/2"	16'	15/16"	
 MLD1008-12 NEW	1 1/4"	4 1/4"	12'	1 1/4"	
 MLD1009-12 NEW	1 1/4"	5 1/4"	12'	1 1/4"	
 MLD1010-12 NEW	1 1/4"	7 1/4"	12'	1 1/4"	
 MLD1018-12 NEW	1 1/8"	4 1/4"	12'	1 1/8"	
 MLD1019-12 NEW	1 1/8"	5 1/4"	12'	1 1/8"	
 MLD1020-12 NEW	1 1/8"	7 1/4"	12'	1 1/8"	
 MLD1034-12 NEW	1 1/8"	4 1/4"	12'	1 1/8"	
 MLD1035-12 NEW	1 1/8"	5 1/4"	12'	1 1/8"	
 MLD1042-12 NEW	1 1/16"	4 1/4"	12'	1 1/16"	
 MLD1043-12 NEW	1 1/16"	5 1/4"	12'	1 1/16"	
 MLD706-16 Base Trim	5/8"	5 1/4"	16'	—	


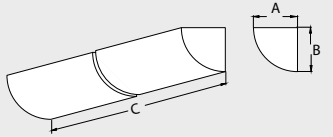

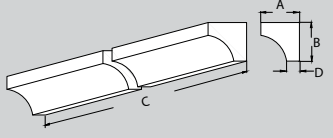

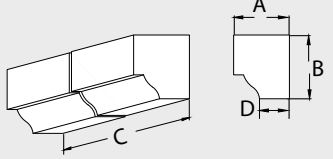
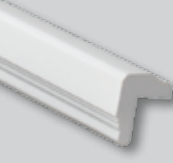
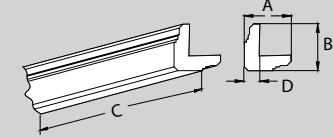

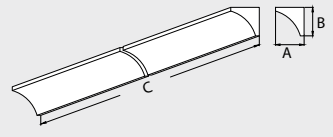

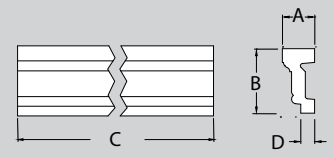

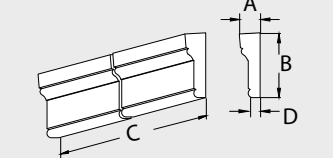
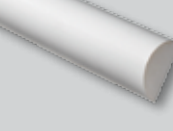
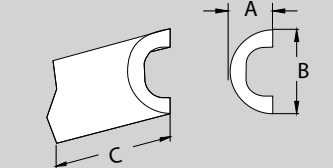




Bed Moulding


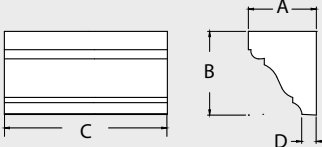

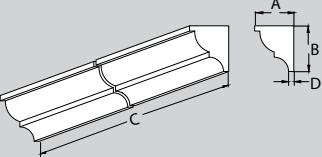

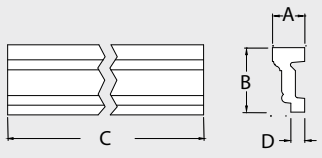



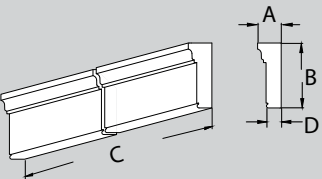

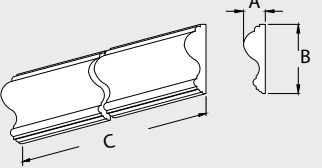

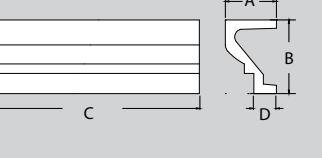

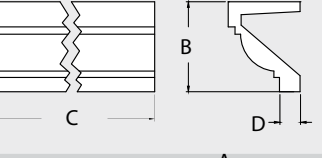

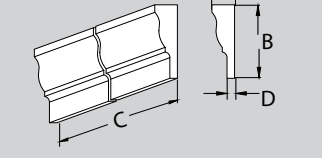
	Part Number	Projection (A)	Height (B)	Length (C)	Bottom Thickness (D)	Accessories	
	MLD626-8	1 1/32"	1 3/16"	8'	5/32"	—	
	MLD455-12	1 1/4"	1 13/32"	12'	5/16"	—	
	MLD648-16	1 1/2"	1 9/16"	16'	3/8"	—	
	MLD649-16	1 9/16"	2 1/16"	16'	11/32"	—	
	MLD629-10	2 1/4"	2 1/4"	10'	3/8"	—	
	MLD613-12	2 3/8"	2 3/4"	12'	1"	—	

Mouldings

	Part Number	Projection (A)	Height (B)	Length (C)	Bottom Thickness (D)	Accessories	
	MLD603-8	1/2"	1/2"	8'	1/2"	—	
	MLD628-8 Cove	3/4"	3/4"	8'	1/4"	—	
	MLD730-8	7/8"	1"	8'	5/16"	—	
	MLD607-8 Corner Strip	2 1/4"	2 1/4"	8'	3/4"	—	
	MLD660-10 Cove	2 3/8"	2 3/8"	12'	—	—	
	MLD215-12 4M Profile	1 3/4"	3 1/2"	10'	3/4"	PB215 K4TM KP4TM	
	MLD237-16	1 1/8"	3 1/2"	16'	13/32"	—	
	MLD605-12 Half Round	1 3/4"	3 1/2"	12'	—	—	


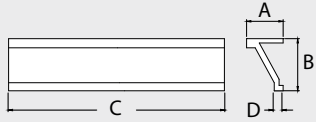

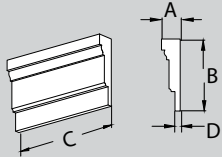





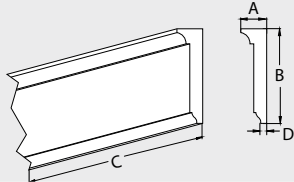

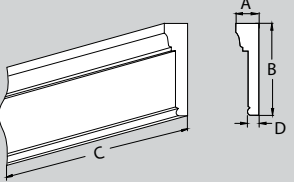

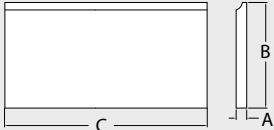
Mouldings

Continued

Part Number	Projection (A)	Height (B)	Length (C)	Bottom Thickness (D)	Accessories	
 MLD240-8	3 1/4"	4"	8'	11/16"	DTLB6X4X6 DTLB9X11X16	
 MLD641-16	3 3/4"	4 3/8"	16'	1/2"	—	
NOTE: Line art is representative of actual part.						
 MLD250-8	1 3/4"	4 1/2"	8'	1"	DTLB6X4X6 DTLB9X11X16	
 MLD250-10	1 3/4"	4 1/2"	10'	1"		
 MLD250-12	1 3/4"	4 1/2"	12'	1"		
 MLD236-16	2"	5 1/2"	16'	1 1/4"	PB220	
 MLD639-16 Fascia - Surround	1 7/8"	6 1/4"	16'	—	—	
 MLD311-16	5 3/8"	7 3/4"	16'	2 3/8"	—	
 MLD520-16	6 7/16"	8 1/16"	16'	1 7/8"	—	
 MLD644-16	3"	9 3/4"	16'	1"	—	


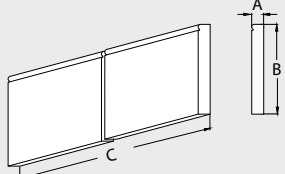

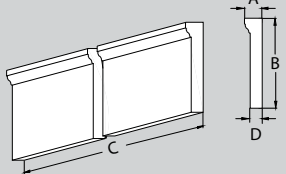

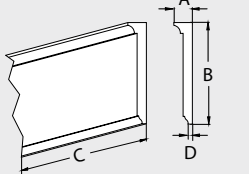

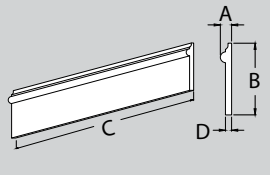



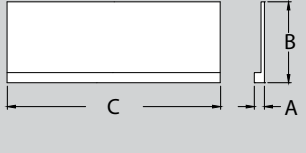

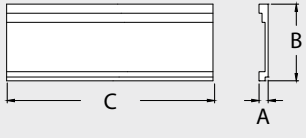

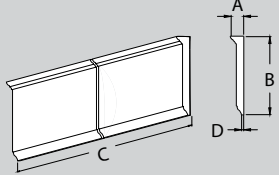
Mouldings

Continued

Part Number	Projection (A)	Height (B)	Length (C)	Bottom Thickness (D)	Accessories	
 MLD512-16	8 1/2"	12 1/8"	16'	2 1/16"	—	
	NOTE: Part comes with routed channel as shown in line art.					
 MLD505-8 Massive Fascia	3 3/8"	13"	8'	15/16"	—	
 MLD472-12	11 1/4"	15 1/2"	12'	1 1/16"	—	
	NOTE: Line art is representative of actual part.					
 MLD715-16 Beaded	1"	4"	16'	—	—	
	NOTE: Line art is representative of actual part.					
 MLD224-12	1 1/2"	5 1/2"	12'	3/8"	—	
 MLD226-8	1 1/2"	5 1/2"	8'	3/4"	K226M PB220	
MLD226-10	1 1/2"	5 1/2"	10'	3/4"		
MLD226-12	1 1/2"	5 1/2"	12'	3/4"		
MLD226-16	1 1/2"	5 1/2"	16'	3/4"		
 MLD705-16 Cove	3/4"	7 1/2"	16'	—	—	


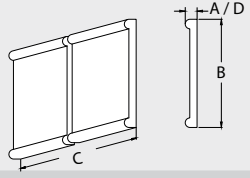

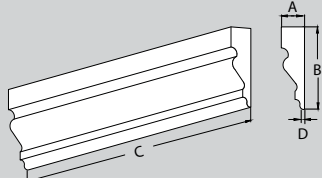

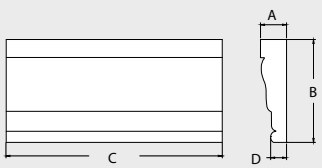

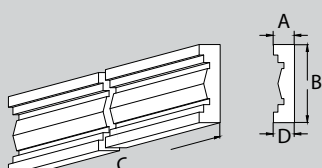

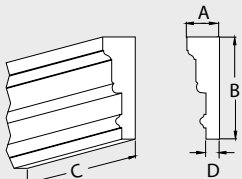


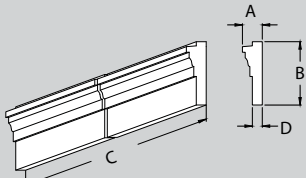

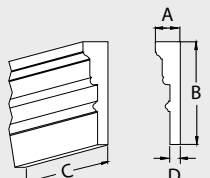


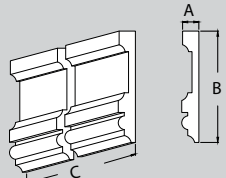
Mouldings

Continued

	Part Number	Projection (A)	Height (B)	Length (C)	Bottom Thickness (D)	Accessories	
	MLD735-16 Beaded	1"	7 1/2"	16'	—	—	
	MLD232-16	1 9/16"	7 7/8"	16'	1 1/16"	—	
	MLD225-12	1 1/2"	8 1/2"	12'	3/8"	—	
	MLD247-16	1 3/8"	8 11/16"	16'	3/4"	—	
	MLD708-12 Bevel	1 1/2"	12"	12'	—	—	
	MLD531-8 Matches MLD530-8	1 1/2"	12"	8'	—	—	
	MLD530-8 Matches MLD531-8	1 1/2"	12 5/8"	8'	—	—	
	MLD223-16	2 1/2"	14 1/2"	16'	7/16"	—	









Mouldings

Continued

Part Number	Projection (A)	Height (B)	Length (C)	Bottom Thickness (D)	Accessories	
 MLD522-16 Sign Fascia	1 5/8"	14 3/4"	16'	1 5/8"	—	
 MLD621-16	9/16"	2"	16'	1/8"	—	
 MLD230-16	13/16"	3 1/4"	16'	1/2"	—	
 MLD235-16	7/8"	3 1/4"	16'	7/8"	—	
 MLD220-12 6M Profile	1 3/4"	5 1/2"	12'	3/4"	PB220 K6TM KP6TM	
 MLD220-16 6M Profile	1 3/4"	5 1/2"	16'	3/4"		
 MLD228-16	2"	6 3/8"	16'	1"	—	
 MLD221-8	1 3/4"	7"	8'	3/4"	—	
 MLD221-16	1 3/4"	7"	16'	3/4"		
 MLD541-16	1 1/4"	8 1/8"	16'	—	—	


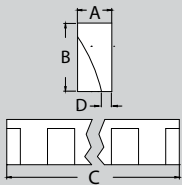

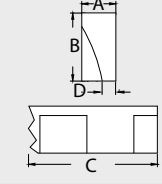



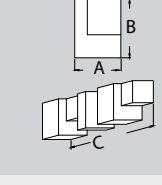

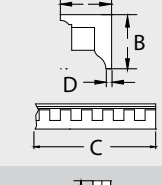

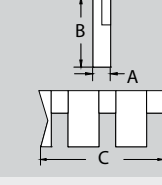
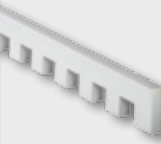
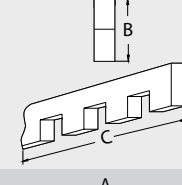
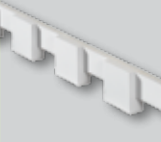
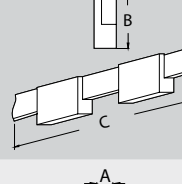
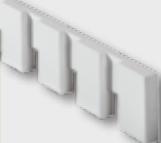
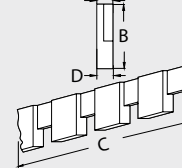
Mouldings

Continued

Part Number	Projection (A)	Height (B)	Length (C)	Bottom Thickness (D)	Accessories
 MLD538-16	1 5/8"	8 3/4"	16'	—	—
 MLD245-12	1 15/16"	8 13/16"	12'	—	—
 MLD227-16	1 1/2"	9"	16'	3/4"	—
 MLD205-8	7/8"	3"	8'	—	PB3X3 PB4X4
MLD205-12	7/8"	3"	12'	—	
 MLD211-16	3/4"	5 1/8"	16'	—	PB5X5 PB5X5A PB6X6
 MLD207-16 Fluted	1"	5 1/4"	16'	1"	PB6X6
 MLD208-16 Fluted	1"	7 1/4"	16'	1"	PB7X7
 MLD209-14 Fluted	1 1/2"	24"	14'	—	—


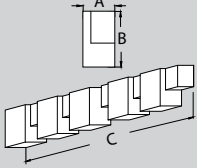

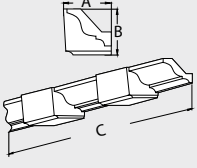

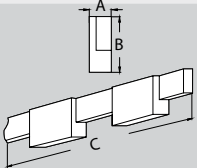

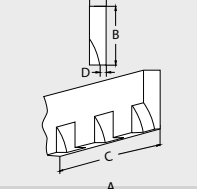

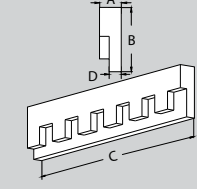

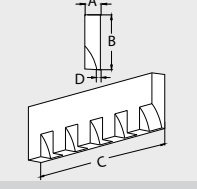

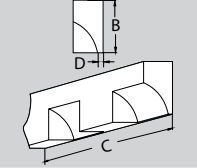

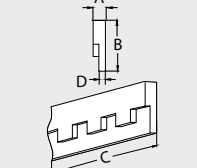
Mouldings

Dentil

Part Number	Projection (A)	Height (B)	Length (C)	Bottom Thickness (D)	Design Repeat	Tooth & Space	Accessories	
 MLD303-5	5/8"	1 1/4"	5'	3/16"	1 1/2"	3/4" Tooth 3/4" Space	—	
 MLD304-5	5/8"	1 1/4"	5'	3/16"	2 1/2"	1 1/4" Tooth	—	
 MLD304-8	5/8"	1 1/4"	8'	3/16"	2 1/2"	1 1/4" Space	—	
 MLD356-12	1 3/8"	1 7/8"	12'	—	2 3/8"	1 1/4" Tooth 1 1/8" Space	—	
 MLD313-8	2 1/4"	2 3/8"	8'	1/4"	2"	1" Tooth 1" Space	—	
 MLD355-8	5/8"	2 1/2"	8' 3/8"	—	2 1/8"	1 3/8" Tooth 3/4" Space	—	
 MLD354-12	1"	3 1/16"	12' 2 1/4"	—	3 1/4"	1 5/8" Tooth 1 5/8" Space	—	
 MLD351-8	1 1/4"	3 1/4"	8' 2"	—	7"	3 1/2" Tooth 3 1/2" Space	—	
 MLD350-8	7/8"	3 1/2"	8' 3 3/4"	1/2"	3 11/16"	2 3/16" Tooth 1 1/2" Space	—	


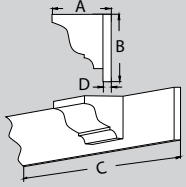

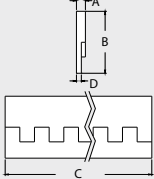

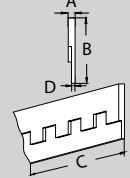

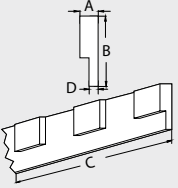

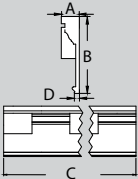
Mouldings

Dentil continued

Part Number	Projection (A)	Height (B)	Length (C)	Bottom Thickness (D)	Design Repeat	Tooth & Space	Accessories
 MLD352-8	2"	3 1/2"	8' 3 3/4"	—	3 11/16"	2 3/16" Tooth 1 1/2" Space	— 
 MLD360-8	3 1/2"	3 3/4"	8'	—	8"	3 11/16" Tooth 4 5/16" Space	— 
 MLD353-8	1 1/4"	4 7/16"	8' 1/4"	—	8 3/4"	4 3/8" Tooth 4 3/8" Space	— 
 MLD310-8	1 1/4"	4 1/2"	8'	7/16"	—	1 17/32" Tooth	DTLB6X4X6 DTLB9X11X16 
MLD310-12	1 1/4"	4 1/2"	12'	7/16"	3"	1 15/32" Space	
MLD310-16	1 1/4"	4 1/2"	16'	7/16"	—	—	
 MLD332-8	1 5/8"	5"	8'	7/8"	4"	2" Tooth 2" Space	DTLB9X11X16 
 MLD320-8	1 5/8"	5 3/4"	8'	3/8"	—	2 3/8" Tooth	
MLD320-12	1 5/8"	5 3/4"	12'	3/8"	4 9/16"	—	
MLD320-16	1 5/8"	5 3/4"	16' 1 1/2"	3/8"	—	2 3/16" Space	
 MLD335-12	3 3/8"	6 1/8"	12'	1/2"	7 1/4"	3 1/16" Tooth 4 3/16" Space	— 
 MLD330-12	1 5/8"	7"	12'	7/8"	4"	2" Tooth 2" Space	— 

Mouldings


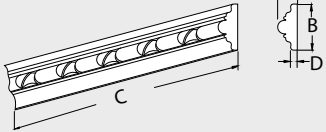
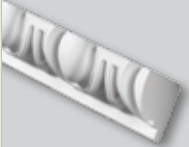
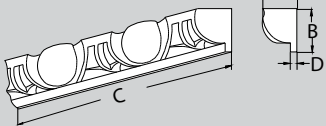

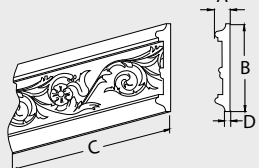

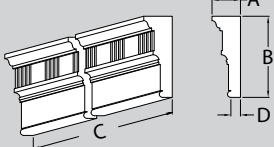

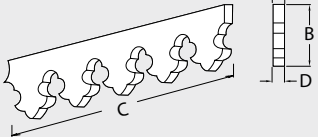

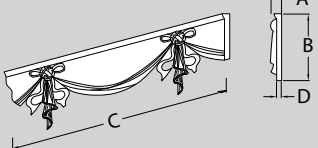

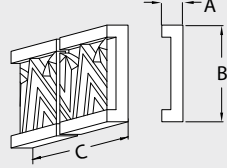

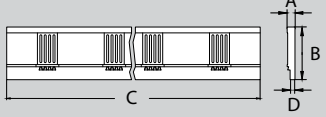
Dentil continued

Part Number	Projection (A)	Height (B)	Length (C)	Bottom Thickness (D)	Design Repeat	Tooth & Space	Accessories	
 MLD370-8	6 1/2"	7 1/2"	8'	1"	19 1/4"	4 3/4" Tooth 14 1/2" Space	—	
 MLD331-16	1 3/8"	9 1/2"	16' 1 1/2"	3/4"	4 1/2"	2 1/4" Tooth 2 1/4" Space	—	
 MLD333-12	1 3/16"	11 1/2"	12' 4 1/2"	5/8"	5 1/2"	2 3/4" Tooth 2 3/4" Space	—	
 MLD334-12	4"	15"	12' 3"	2"	21"	9" Tooth 12" Space	—	
 MLD434-16	3 3/4"	16"	15' 9"	1/8"	21"	9" Tooth 12" Space	—	




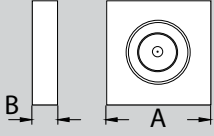

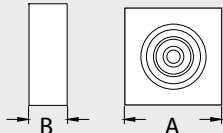

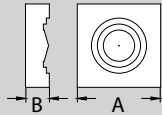

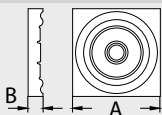
Mouldings

Decorative

	Part Number	Projection (A)	Height (B)	Length (C)	Bottom Thickness (D)	Design Repeat		
	MLD609-12 Chair Rail	7/8"	2 1/16"	12'	3/8"	1 7/8"		
	MLD562-8 Egg & Dart	2 3/8"	2 15/16"	8' 5"	7/16"	6 1/8"		
	MLD600-8 Florentine	3/4"	4 5/16"	8'	1/4"	5 5/8"		
	MLD600-10 Florentine	3/4"	4 5/16"	10'	1/4"	5 5/8"		
	MLD241-16	1 5/8"	4 3/4"	16'	17/32"	—		
	MLD640-8 Scalloped	1"	5 13/16"	8'	1"	6"		
	MLD604-12 Ribbon & Bow	1 5/16"	6 3/4"	11' 4"	5/8"	13 3/8"		
	MLD647-16 Deco	1 3/4"	8"	16'	1 3/4"	12"		
	MLD532-16	2"	13 1/2"	16'	1 1/4"	17 1/8"		

Moulding Accessories

Rosettes


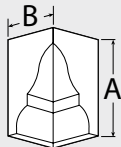

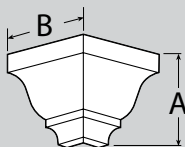

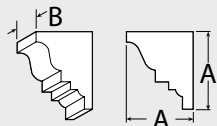

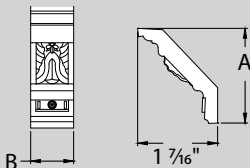
Part Number	Width (A)	Projection (B)	Matching Parts	
PB2.5X2.5	2 1/2"	3/4"	—	
PB3X3	3 5/8"	7/8"	FLT103 MLD205	
PB3.5X3.5	3 1/2"	3/4"	—	
 PB3.875X3.875	3 7/8"	1 1/8"	—	
PB4X4	3 5/8"	1 1/8"	FLT103 MLD205 4F Arches	
PB5X5	5 1/4"	1"	FLT109 MLD211	
PB6X6	5 5/8"	1 1/8"	FLT159 MLD211 MLD706 6F Arches	
PB7X7	7 7/16"	1 3/16"	MLD208	
 PB215	3 5/8"	1 1/8"	4M Arches MLD215	
PB220	5 1/2"	2"	6M Arches, MLD220, MLD226, MLD236	
 PB4X4X1	3 1/2"	1"	FLT103, MLD205, FLT122, MLD230, FLT152, 4F Arches	
 PB5X5A	5 3/8"	1"	FLT109 MLD211	

Moulding Accessories

Plinth Blocks

	Part Number	Width (A)	Height (B)	Projection (C)	Matching Parts
	PBTD4X5.25 NEW	4"	5 1/4"	1 3/8"	
	PBTD5X6.25 NEW	5"	6 1/4"	1 3/8"	
	PBTD5X8.25 NEW	5"	8 1/4"	1 3/8"	
	PBAC5.25 NEW	4"	5 1/4"	1 3/8"	
	PBAC6.25 NEW	5"	6 1/4"	1 3/8"	
	PBAC8.25 NEW	5"	8 1/4"	1 3/8"	

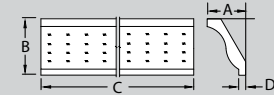
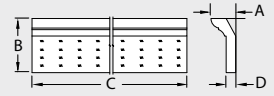
Miterless Accessories

	Part Number	Height (A)	Width (B)	Moulding Match	
	MIC1 Inside Corner	3 1/8"	2 1/8"	MLD452	
	MOC1 Outside Corner	3 1/8"	2 25/32"	MLD452	
	MDB432 Divider Block	4 11/16"	1 1/4"	MLD432	
	MDB493 Divider Block	6 15/16"	3 1/8"	MLD493	

Timber Crown Mouldings

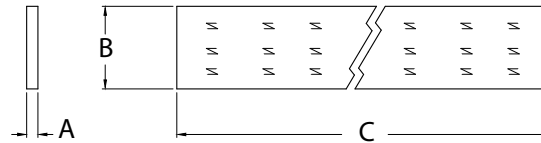
Stainable

Part Number	Projection (A)	Height (B)	Length (C)	Bottom Thickness (D)
 MLD1011S-12 NEW	1 15/16"	4 1/4"	12'	3/4"
MLD1012S-12 NEW	1 15/16"	5 "	12'	3/4"
MLD1013S-12 NEW	1 15/16"	6 1/4"	12'	3/4"
 MLD1021S-12 NEW	2 13/16"	4 1/8"	12'	1/2"
MLD1022S-12 NEW	3 1/2"	5 5/32"	12'	5/8"
MLD1023S-12 NEW	4 11/32"	6 11/16"	12'	25/32"



Timber Flat Trim

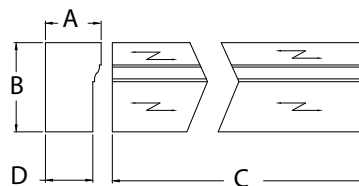
Stainable



Part Number	Thickness (A)	Width (B)	Length (C)
FLT151-12S	3/4"	3 1/2"	12'
FLT110-12S	3/4"	5 1/2"	12'
FLT187-12S	3/4"	7 1/2"	12'
FLT173-12S	3/4"	11 1/2"	12'
FLT30X228X1S	1"	30"	19'
FLT150-12S	1 1/2"	3 1/2"	12'
FLT111-12S	1 1/2"	5 1/2"	12'
FLT197-12S	1 1/2"	7 1/2"	12'
FLT192-12S	1 1/2"	11 1/2"	12'

Timber Brick Mould


Stainable



Part Number	Projection (A)	Height (B)	Length (C)	Bottom Thickness (D)
MLDWM180-8S	1 1/4"	2"	8'	1 1/16"

Timber Casing, Trim & Apron

Stainable

Part Number	Projection (A)	Height (B)	Length (C)	Bottom Thickness (D)
 MLD1014S-12 NEW	1 1/8"	3 1/4"	12'	1 1/8"
 MLD1015S-12 NEW	1 1/8"	4 1/4"	12'	1 1/8"
MLD1016S-12 NEW	3/4"	3 1/4"	12'	1/4"
MLD1017S-12 NEW	3/4"	4 1/4"	12'	1/4"


Timber Baseboard & Trim

Stainable

Part Number	Projection (A)	Height (B)	Length (C)	Bottom Thickness (D)
 MLD1018S-12 NEW	1 1/8"	4 1/4"	12'	1 1/8"
MLD1019S-12 NEW	1 1/8"	5 1/4"	12'	1 1/8"
MLD1020S-12 NEW	1 1/8"	7 1/4"	12'	1 1/8"
 MLD1026S-12 NEW	1 1/8"	4 1/4"	12'	1 1/8"
MLD1027S-12 NEW	1 1/8"	5 1/4"	12'	1 1/8"
MLD1028S-12 NEW	1 1/8"	7 1/4"	12'	1 1/8"

Timber Plinth Blocks

Stainable

Part Number	Width (A)	Height (B)	Projection (C)
 PBAC5.25S NEW	4"	5 1/4"	1 3/8"
PBAC6.25S NEW	5"	6 1/4"	1 3/8"
PBAC8.25S NEW	5"	8 1/4"	1 3/8"