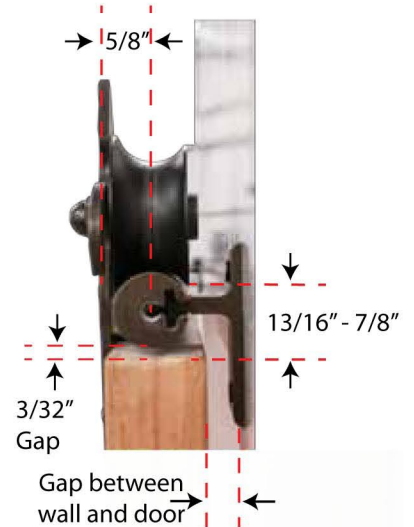


Rolling Door Instructions

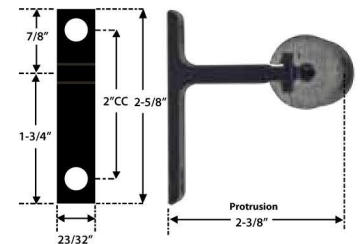
Roller Strap Installation

1. Install the roller straps onto the top edge of the door. The location of these straps is critical for the proper, safe use of the rolling door.
2. The distance between the top of the door and the outer diameter of the back of the wheel (measured from the back of the door) should be $13/16'' - 7/8''$ (this will achieve approximately $3/32''$ gap between the top of the door and the rail when these measurements are achieved).
3. Using the screws provided attach the strap to the door. It is very important that the screws are installed into solid wood, not hollow-core doors with thin veneer skins. It is also recommended that you predrill the screw holes. Make sure that proper vertical alignment of the strap is achieved before fastening the strap to the door.

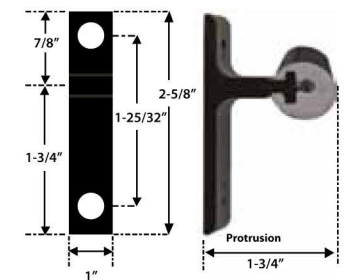


Rail Installation

1. The location of the rail is dependent on the height of the door, desired gap between the floor and bottom of door and desired overlay of top of the door to door opening.
2. Recommended spacing for the wall mounted brackets is 16"
3. The **Short Bracket** will accommodate doors up to 1-1/2" thick, ****Custom**** the **Long Bracket** will accommodate doors up to 2-1/4" thick. ****Standard****
4. Wall brackets must be mounted securely into the studs behind the sheetrock. If the brackets are to be mounted to the moulding surrounding the opening, the moulding must be firmly secured to the wall framework.



Long Bracket



Short Bracket

End Stops and Center Guide (floor mounted & wall mounted)

1. After installing the door onto the rail, slide the door to the desired opened position.
2. Install the End Stop bracket to the floor or wall so that the door stops in the desired opened position.
3. Install the Center Guide bracket so that the door will always be captured by this bracket in the fully opened and fully closed position.
4. Repeat step #2 for installation of the other End Stop bracket when the door is in the closed position.

Dimensional Specifications

Gap between the wall and the door

Using the Short Bracket: Gap = $1-7/8''$ minus door thickness (Short Brck special order)

Using the Long Bracket: Gap = $2-1/2''$ minus door thickness (Long Brck Standard)

