

# Craftsman PermaWrap® Custom Quote Form



"If You Dream It, We Can Build It"

Build Your Own Square Craftsman PermaWrap® Column

Quote Request Form

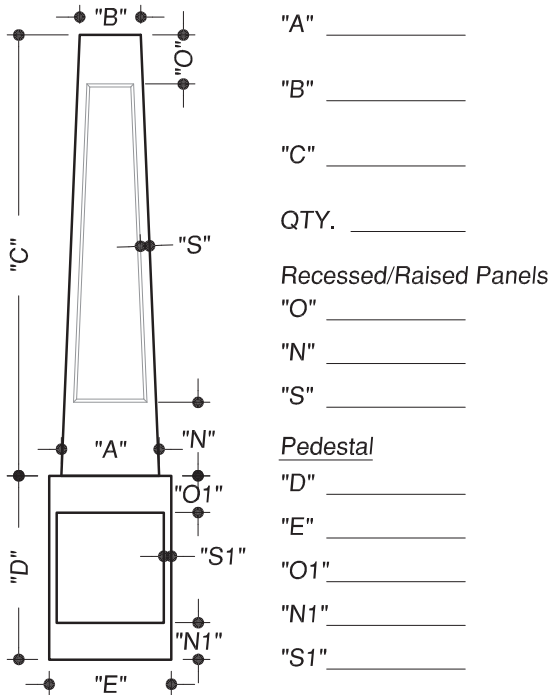
Fill out the form below Email to Sales@bbwood.com B & B will contact you with a quote and put you in touch with a distributor based on your contact information.

Name: \_\_\_\_\_ Phone: \_\_\_\_\_

City, State: \_\_\_\_\_ Fax: \_\_\_\_\_

Date: \_\_\_\_\_ Email: \_\_\_\_\_

### Column Size



### Shaft Design



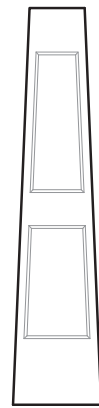
Plain



Raised Panel



Recessed Panel



Multiple\*\*



Raised Panel Pedestal

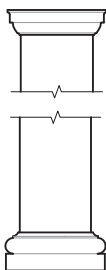


Recessed Panel Pedestal

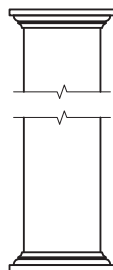
### Need to further customize?

Please draw your custom column on backside of request form.

### Cap & Base Options



Tuscan



Traditional

\*\*For multiple panels please draw your custom column with dimensions on the back of this form.